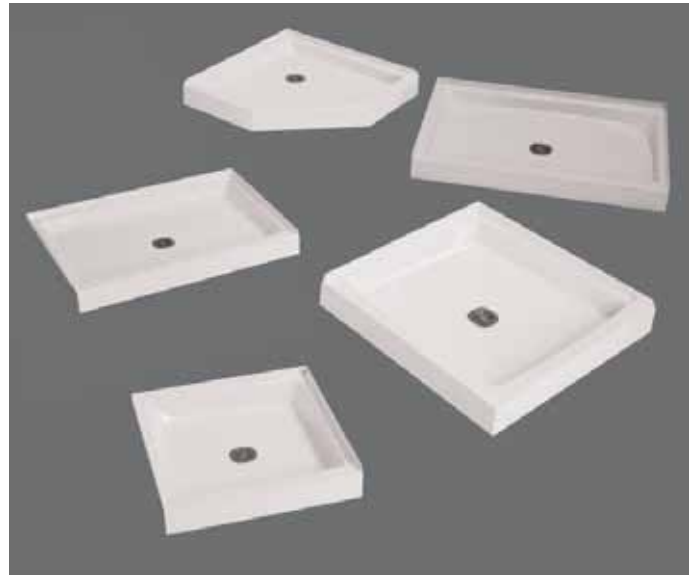


**CASCADE™ SHOWER FLOOR**  
**SIERRA - FT / FTC SERIES**

- Cascade shower floor shall be the type as manufactured by Fiat Products.
- Molding shall be done in matched metal dies, resulting in a one piece homogenous product.
- A permanent slip resistant surface shall also be integrally molded so that it will neither trap nor impede the flow of water.
- The shoulder shall be not less than 3 -1/16" high or less than 1-1/2" wide. The tilting flange shall extend not less than 1-1/2" above the shoulder and shall be not less than 1" higher than the threshold providing an integrally molded water barrier. The threshold shall be not less than 4-3/4" high (see following table).
- Available in single and double threshold and neo-corner
- One-piece with 11/2" water retention tiling flange
- Durable molded stone construction
- Slip resistant surface
- Integral molded drain with plastic strainer
- Each receptor comes with a protective coating
- Matching Estate™ shower wall surrounds, C9960/ U9960 (32"x 32"); C9970/U9970 (36"x 36"); C9980/ U9980 (48"x 36"); C9990/U9990 (36"x 36" right angle)
- Meets all requirements of ANSI Z-124.2 Standard
- FHA, IAMPO, BOCA, SBCCI listed
- Illustrated installation instructions included
- Available in White and Bone
- Five-year warranty



SEE REVERSE FOR ROUGHING-IN DIMENSIONS

**NOTES:**

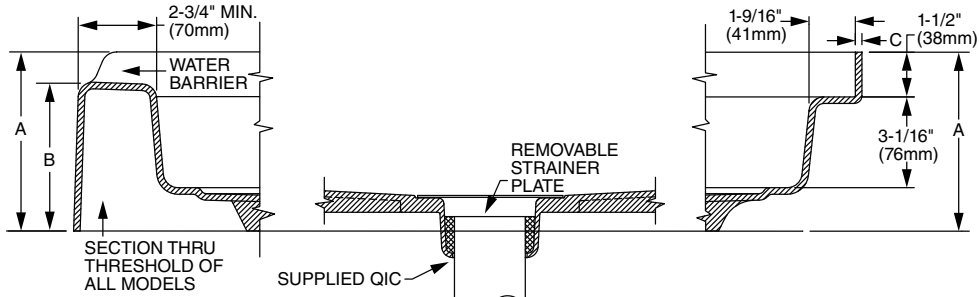
Establish 1/4" clearance between shower floor and wall. It is required that the entire area between the receptor and the building floor have a 1/2" layer of mortar in order that shower floors be level.

It is recommended that a floor drain be installed at or near the entrance of the shower.

All models comply with Americans With Disabilities Act and A117.1 handicapped standards.

**IMPORTANT:** Rough-in dimensions may vary 1/2" and are subject to change or cancellation without prior notice.

MODEL	SIZE	MODEL	SIZE
32WL	32" x 32"	4832WL	48" x 32"
34WL	34" x 34"	54WL	54" x 34"
36WL	36" x 36"	60WL	60" x 34"
42WL	42" x 34"	34WLD	34" x 34" Double Threshold
4242WL	42" x 42"	36WLC	36" x 36" Neo-Corner
48WL	48" x 34"	36WLD	36" x 36" Double Threshold
		38WLC	38" x 38" Neo-Corner



**NOTE:** Quick Drain connector, QDC-2, is supplied with each floor, for use as a drain caulk to replace the lead caulk process (as desired).

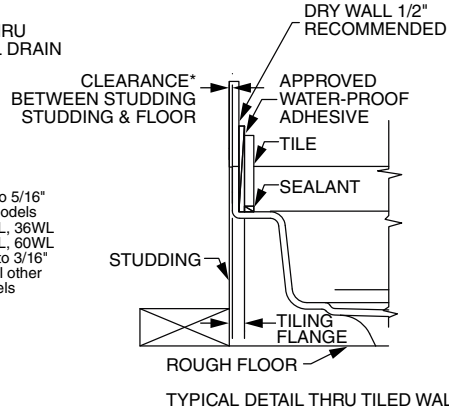
\*\*BY OTHERS  
2" PIPE \*\*  
AND "P" TRAP

DETAIL THRU  
INTEGRAL DRAIN  
FIG. 1

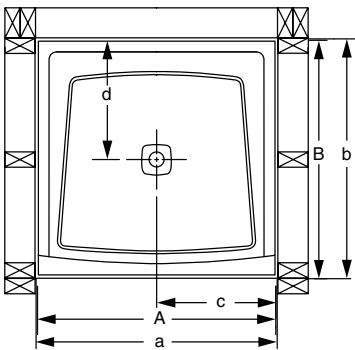
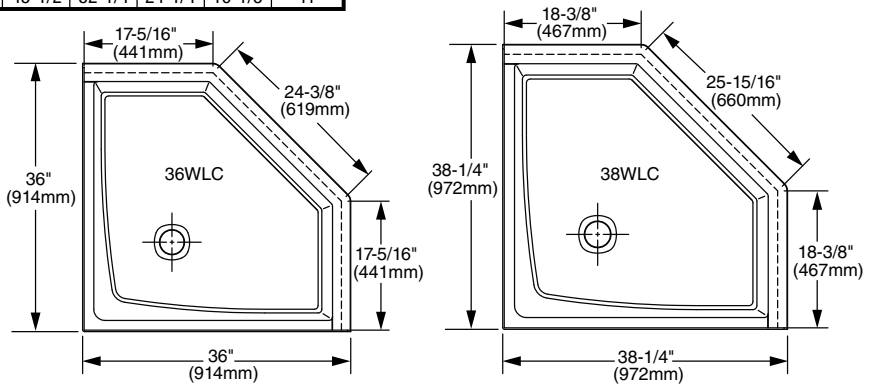
### Dimensions in Inches

MODEL	NOMINAL SIZE		ACTUAL SIZE ± 1/16		ROUGHING-IN DIMENSIONS				APPROX SHIPING WT., lbs.
	A	B	A	B	a	b	c	d	
32WL	32	32	32	32	32-3/8	32-3/16	16-3/16	16-1/8	29
34WL	34	34	34-1/4	34-1/4	34-5/8	34-7/16	17-5/16	17-1/4	31
36WL	36	36	36	36	36-3/8	36-3/16	18-3/16	18-1/8	34
42WL	42	34	42	34	42-3/8	34-3/16	21-3/16	17-1/8	36
4242WL	42	42	42	42	42-3/4	42-1/4	21-1/8	21-1/8	48
48WL	48	34	48	34	48-3/8	34-3/16	24-3/16	17-1/8	42
54WL	54	54	54-3/8	34-1/4	54-11/16	34-9/16	27-3/8	17-5/16	47
60WL	60	34	60	34	60-3/8	34-3/16	30-3/16	17-1/8	51
34WLD	34	34	34-1/4	34-1/4	34-7/16	34-7/16	17-1/4	17-1/4	34
36WLD	36	36	36-1/4	36-1/4	36-7/16	36-7/16	18-1/4	18-1/4	36
36WLC	36	36	36	36	36-1/4	36-1/4	12-1/4	12-1/4	39
38WLC	38	38	38-1/4	38-1/4	38-7/16	38-7/16	12-5/16	12-5/16	39
4832WL	48	32	48-3/16	32-1/8	48-1/2	32-1/4	24-1/4	16-1/8	41

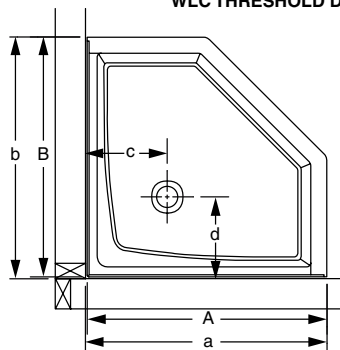
\*1/4" to 5/16"  
for Models  
32WL, 36WL,  
48WL, 60WL  
1/8" to 3/16"  
for all other  
models



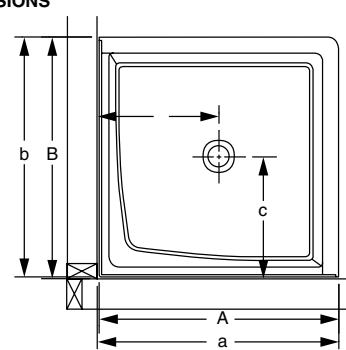
MODEL	TABLE (SEE FIG. 1)		
	A	B	C
32WL	6	5	7/32
34WL	6	5	5/16
36WL	5-7/8	4-3/4	7/32
42WL	6	5	7/32
48WL	5-7/8	4-3/4	7/32
54WL	6	5	5/16
60WL	6	5	7/32
34WLD	6	5	5/16
36WLD	6	5	5/16
38WLC	6	5	5/16
4832WL	6	5	5/16



MODEL WL



MODEL WLC



MODEL WLD

**IMPORTANT:** Roughing-in dimensions may vary 1/2" and are subject to change or cancellation without prior notice. No responsibility is assumed for use of superseded or voided leaflets.